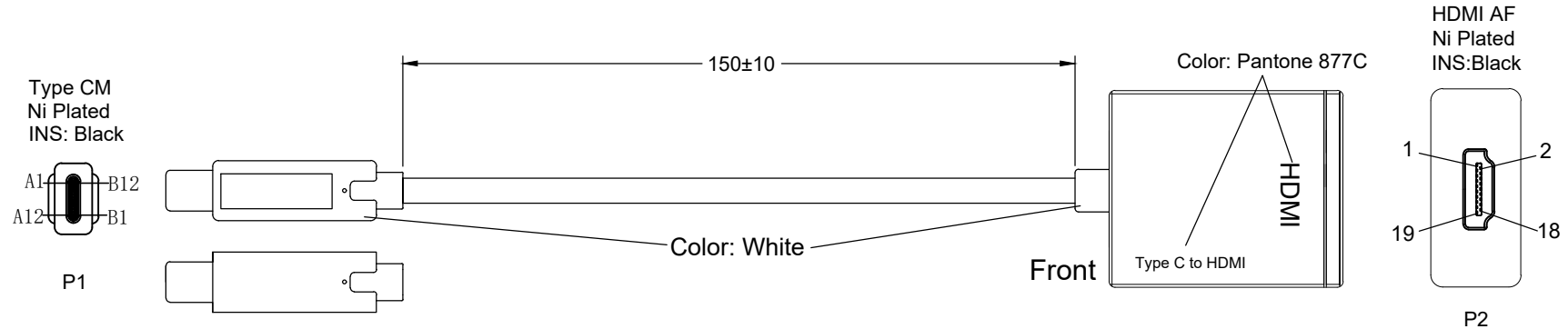


ROHS-COMPLIANT

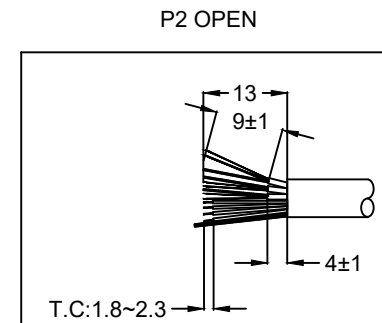
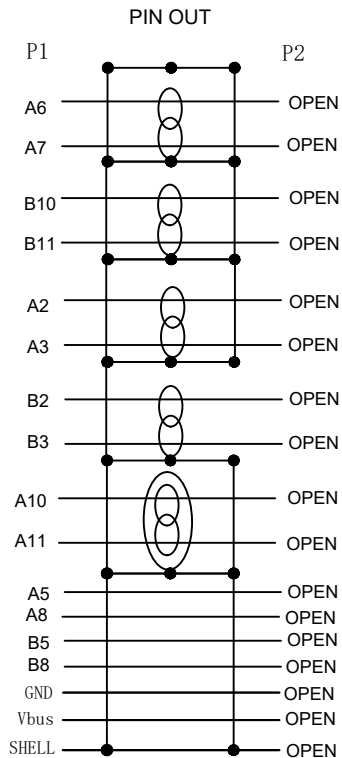
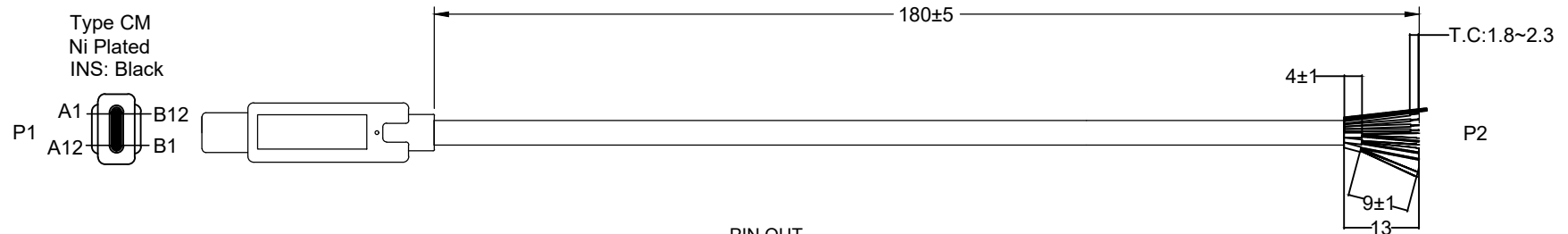


Features: (TYC-H04, IC: RTD2171U)

1. USB Type C (Male) Reversible Plug to HDMI (Female) Adapter.
2. Supports DisplayPort Alternate mode on USB Type C standard.
3. Integrates HDMI 1.4 Transmitter.
4. Resolution up to 3840*2160 / 30Hz.
5. Supports HDCP 1.3.
6. Supports Plug & Play.
7. Supports OS: Windows10, mac OS v10.12 or later
8. PACKING: Each PC / Polybag

Tolerance Inch mm			Arvanics Corporation					
.X	.015	.30	Title Type C to HDMI Cable					
.XX	.010	.10						
.XXX	.005	.05						
Draw			Customer P/N: UTC-HDF0015					
Check			App'd					
Engr			Scale	NONE	Units	m/m	Third Angle Projection	
			Dwg No.		REV: A	Sheet 1/2		

ROHS-COMPLIANT



NOTE:

- CABLE:
UL20276 [#32(7/0.08T.C)*1P+D+AL+PET]*5
+#32(7/0.08T.C)*4C+#28(7/0.12T.C)*2C
+AL+D(7/0.08B.C)+B(16/6/0.08TC).
PVC JACKED OD: 5.0mm, Color: White.
- CONNECTOR: P1: Type C Male
CONTACT: G/F SHELL: Ni-Plated
- TEST REQUEST:
 - 100% OPEN SHORT & MIS-WIRE TEST.
 - CONTACT RESISTANCE 3 ohm MAX.
 - INSULATION RESISTANCE 10M ohm MIN.

Tolerance Inch mm			Arvanics Corporation	
.X	.015	.30	Title Type C to HDMI Cable	
.XX	.010	.10	Customer P/N: UTC-HDF0015	
.XXX	.005	.05	App'd	
Draw			Scale	NONE
Check			Units	m/m
Engr			Third Angle Projection	
Dwg No.			REV: A	Sheet 2/2