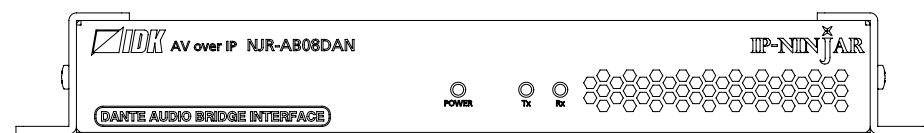
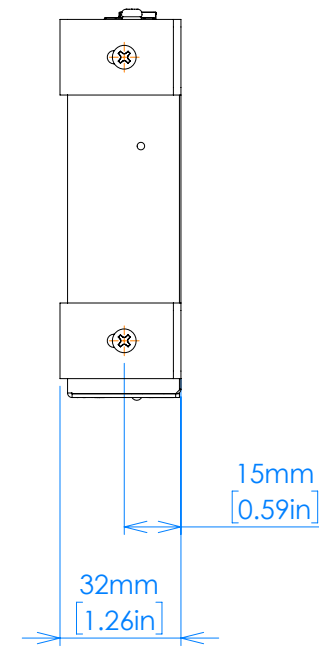
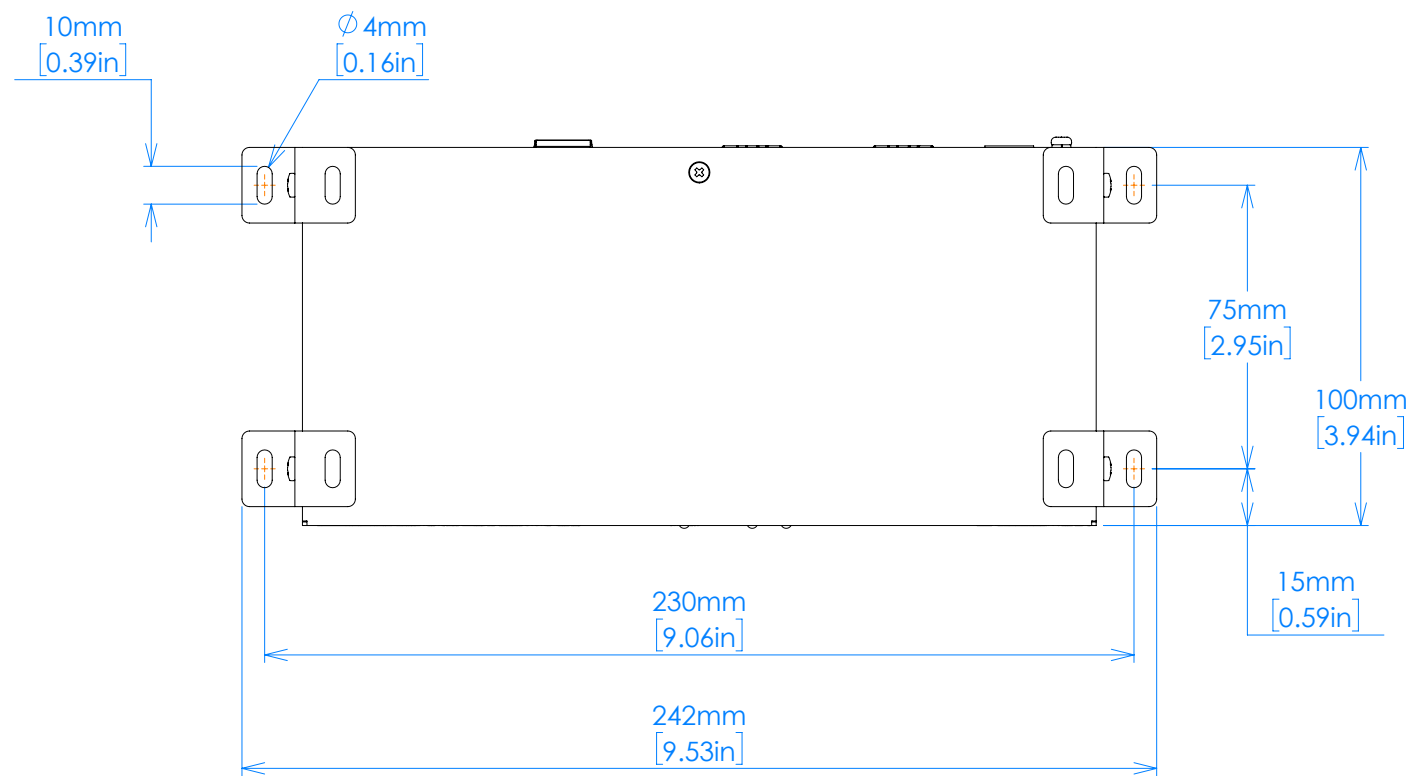


UNITS mm [in]		MODEL NJR-AB08DAN	
DRAWN shibata 2023/07/18	CHECKED watanabe 2023/07/18	APPROVED kadowaki 2023/07/18	PART NAME Product Dimensions DWG No. 717E01
IDK Corporation www.idk.co.jp			REVISION B1
SCALE : 1:2 (A3)			PAGE 1 / 2



固定用プレート FP-Z30を取り付けた図となります

UNITS mm [in]		MODEL NJR-AB08DAN	
DRAWN shibata 2023/07/18	CHECKED watanabe 2023/07/18	APPROVED kadowaki 2023/07/18	PART NAME 外観図 DWG No. 717E01
IDK Corporation www.idk.co.jp			REVISION B1
SCALE : 1:2 (A3)			PAGE 2 / 2