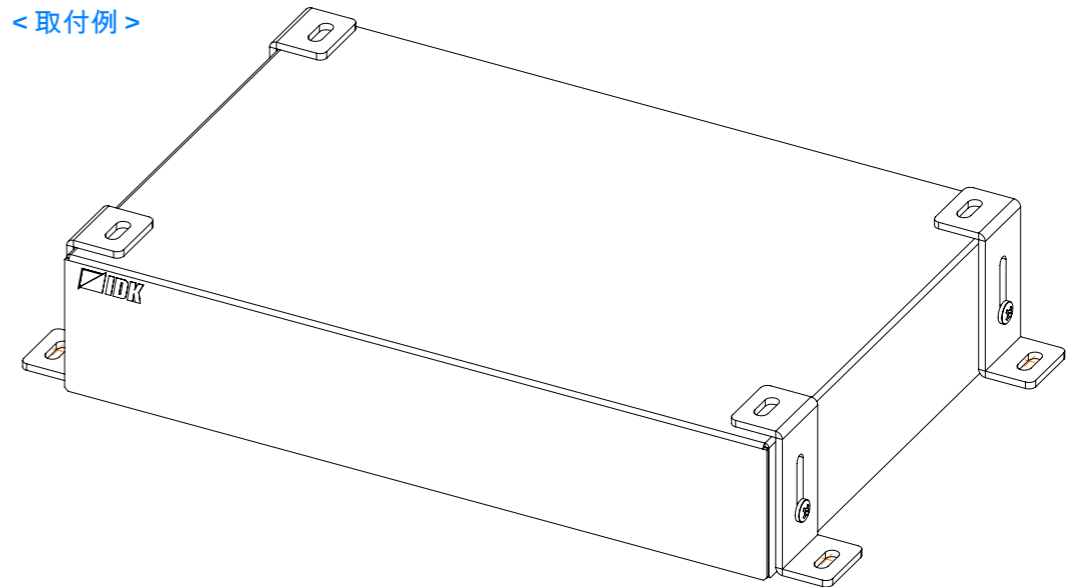


< 取付例 >



UNITS mm [ in ]		MODEL FP-Z42	
DRAWN Watanabe 2020/12/01	CHECKED Shibata 2020/12/01	APPROVED Kadowaki 2020/12/01	PART NAME 外観図 DWG No. 702E02
IDK Corporation <a href="http://www.idk.co.jp">www.idk.co.jp</a>			REVISION A1
SCALE : 1:1 (A3)			PAGE 1 / 1